

CSB-PCC® Plastic Cable Chains

CSB-PCC® 工程塑料电缆拖链

C02E.45 抗静电通用型电缆拖链 ESD universal cable chains



产品特性 Product features

C02E.45抗静电通用型电缆拖链是应用范围广泛的产品，简单而多功能的组装结合坚固性，高强度配合更安静的运动，更长的电缆寿命和许多安装选项。

- 消除静电，表面电阻 $<10^9 \Omega$
- 拖链内高45mm，内宽80-250mm
- 易于安装：拖链内外侧均可打开
- 高强度：大直径孔销固定，横杆高强度锁紧设计
- 长寿命：侧向滑动面设计
- 长架空行程：高强度双限位块
- 安装选项：带或不带消除应力元件

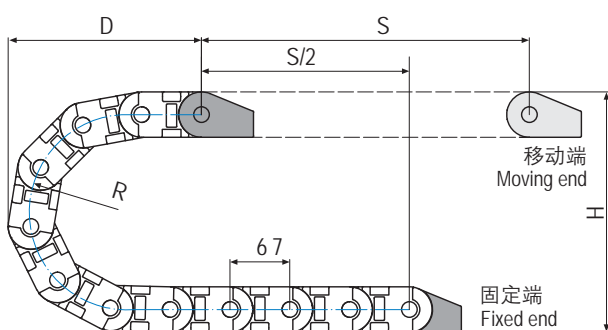
C02E.45 ESD universal cable chains for a wide range of applications, easy and versatile assembly combined with ruggedness - high strength paired with quieter motion - long cable life and many mounting options.

- Electro-Static discharge, Surface resistance $<10^9 \Omega$
- Inner height 45mm, Inner width from 80mm to 250mm
- Easy assembly: Chain links openable along inner or outer radius from both sides
- High strength: large pin/bore and crossbar with high locking force
- Long service life: lateral sliding surfaces design
- For long unsupported lengths: strength and double stop-dog design
- Universal connection: many mounting options with or without strain relief

标准尺寸 Standard dimensions

产品编码 Part No.	内宽 Bi Inner width [mm]	外宽 Ba Outer width [mm]	内高 Hi Inner height [mm]	外高 Ha Outer height [mm]	弯曲半径 R Bend radius [mm]						应用 Unsupported length [m]	重量 Weight [kg/m]	
C02E.45.075	75	95	45	64	075	100	125	150	200	250	300	架空应用 ≤ 3 悬挂应用 ≤ 80 垂直应用 ≤ 3 Vertical standing	1.79
C02E.45.080	80	100	45	64	075	100	125	150	200	250	300		1.84
C02E.45.100	100	120	45	64	075	100	125	150	200	250	300		1.93
C02E.45.125	125	145	45	64	075	100	125	150	200	250	300		2.03
C02E.45.150	150	170	45	64	075	100	125	150	200	250	300		2.17
C02E.45.175	175	195	45	64	075	100	125	150	200	250	300		2.28
C02E.45.200	200	220	45	64	075	100	125	150	200	250	300		2.45
C02E.45.225	225	245	45	64	075	100	125	150	200	250	300		2.59
C02E.45.250	250	270	45	64	075	100	125	150	200	250	300		2.73

安装尺寸 Installation dimensions



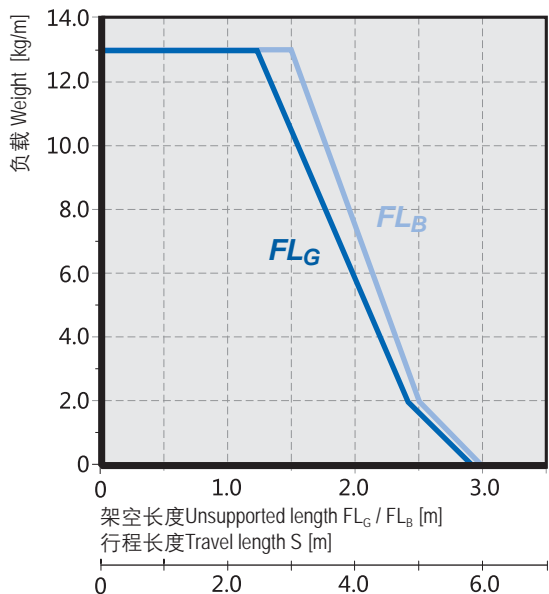
产品编码 Part No.:

C02E.45.075.075.020.W

- W: 外侧打开 Openable from outside
- N: 内侧打开 Openable from inside
- WN: 内外侧打开 Openable from both sides
- 空白blank: 不可打开 Non-openable
- 链节数量 Link quantity
- 弯曲半径 Bend radius
- 拖链内宽 Inner width
- 拖链内高 Inner height
- 抗静电系列 ESD
- 拖链系列 Chain series

R	075	100	125	150	200	250	300
H	214	264	314	364	464	564	664
D	208	233	258	283	333	383	433
K	370	450	530	610	765	920	1080

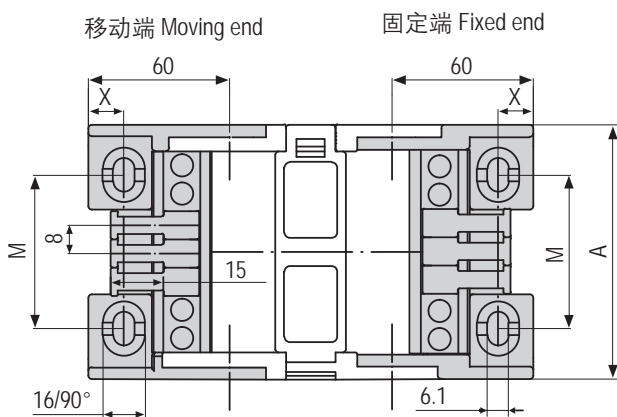
实际安装高度 The required clearance height: $H_f = H + 40\text{mm}$ (负载 Fill weight 2.5kg/m)



内高Bi: 45mm
 节距T: 67mm
 链节数: 15pcs/m
 安装高度 H_f : $H + 40\text{mm}$
 拖链长度: $S/2 + K$

Inner height: 45mm
 Link pitch: 67mm
 Link quantity: 15pcs/m
 Clearance height: $H + 40\text{mm}$
 Chain length: $S/2 + K$

拖链接头尺寸 Mounting bracket dimensions



产品编码 Part No.:

C02E.45.075.0

- 0: 移动端 Moving end
- 1: 固定端 Fixed end
- 拖链内宽 Inner width
- 拖链内高 Inner height
- 抗静电系列 ESD
- 拖链系列 Chain series

产品编码 Part No.	拖链内宽 Inner width Bi [mm]	A [mm]	X [mm]	M [mm]	安装应力单元最大数量 Max. quantity of tiwrap elements [pcs]
C02E.45.075.0/1	75	95	20	56	7
C02E.45.080.0/1	80	100	20	58	7
C02E.45.100.0/1	100	120	20	78	10
C02E.45.125.0/1	125	145	20	103	12
C02E.45.150.0/1	150	170	20	128	15
C02E.45.175.0/1	175	195	20	153	17
C02E.45.200.0/1	200	220	20	178	20
C02E.45.225.0/1	225	245	20	203	22
C02E.45.250.0/1	250	270	20	228	25